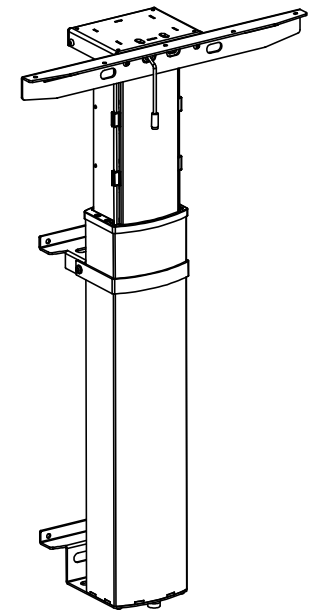
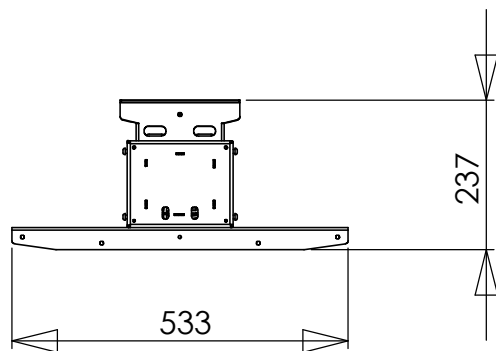
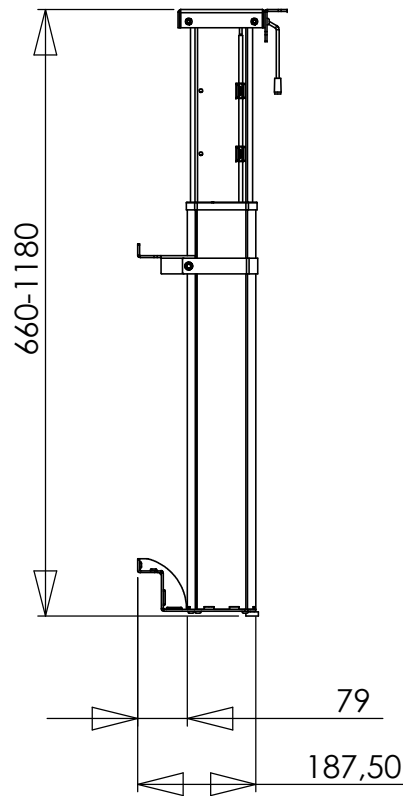
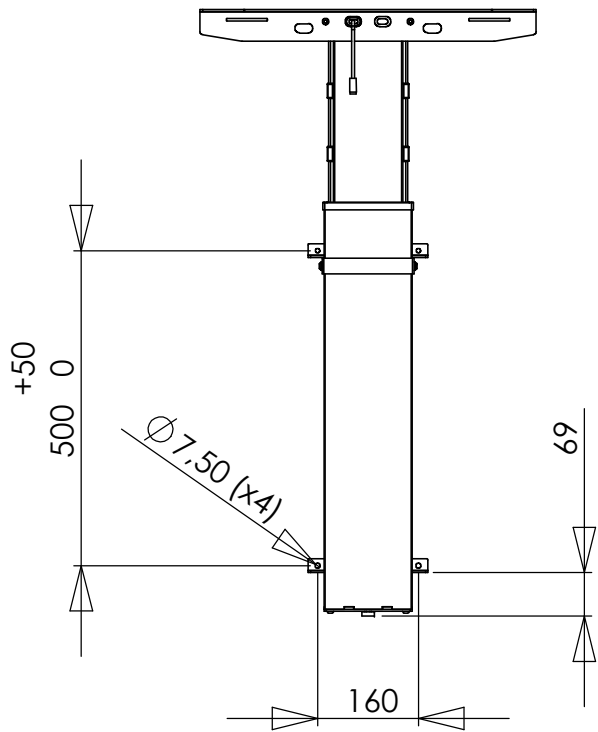


| | | | | |
|---|--------------|------------------------|------------------|--|
| DO NOT SCALE DRAWING | SHEET 1 OF 9 | | | ConSet A/S Staalvej 14-16 DK-6900 Skjern Denmark |
| UNLESS OTHERWISE SPECIFIED: DIMENSIONS ARE IN MILLIMETERS TOLERANCES: LINEAR: According to ANGULAR: DIN 7168-m | DRAWN | NAME jo | DATE 28-10-09 | TITLE: 501-19 Wall mounted |
| | CHECKED | Processes: assembly | | DWG NO. 110610 |
| PROPRIETARY AND CONFIDENTIAL THE INFORMATION CONTAINED IN THIS DRAWING IS THE SOLE PROPERTY OF CONSET A/S. ANY REPRODUCTION IN PART OR AS A WHOLE WITHOUT THE WRITTEN PERMISSION OF CONSET A/S IS PROHIBITED. | WEIGHT: | | | REVISION 3 |



| | | | | | |
|---|--------------|------|----------|---|-----------------------|
| DO NOT SCALE DRAWING | SHEET 9 OF 9 | | | ConSet A/S <small>Staalvej 14-16 DK-6900 Skjern Denmark</small> | |
| UNLESS OTHERWISE SPECIFIED: DIMENSIONS ARE IN MILLIMETERS TOLERANCES: LINEAR: According to ANGULAR: DIN 7168-m | DRAWN | NAME | DATE | TITLE: | |
| | CHECKED | jo | 28-10-09 | | |
| PROPRIETARY AND CONFIDENTIAL THE INFORMATION CONTAINED IN THIS DRAWING IS THE SOLE PROPERTY OF CONSET A/S. ANY REPRODUCTION IN PART OR AS A WHOLE WITHOUT THE WRITTEN PERMISSION OF CONSET A/S IS PROHIBITED. | Processes: | | assembly | | DWG NO. 110610 |
| | WEIGHT: | | | | |