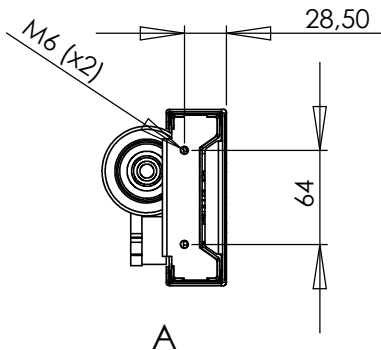
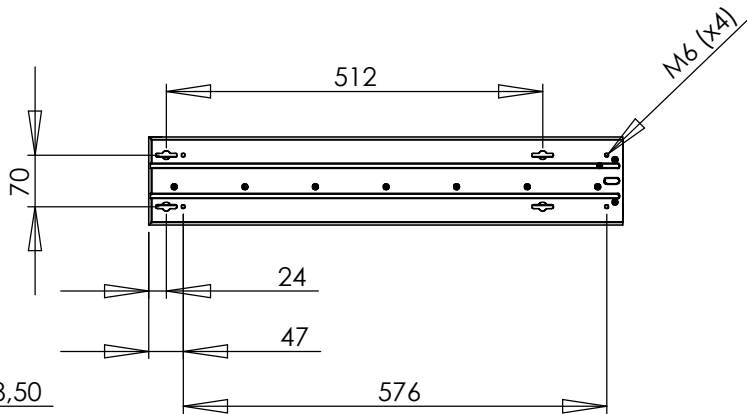
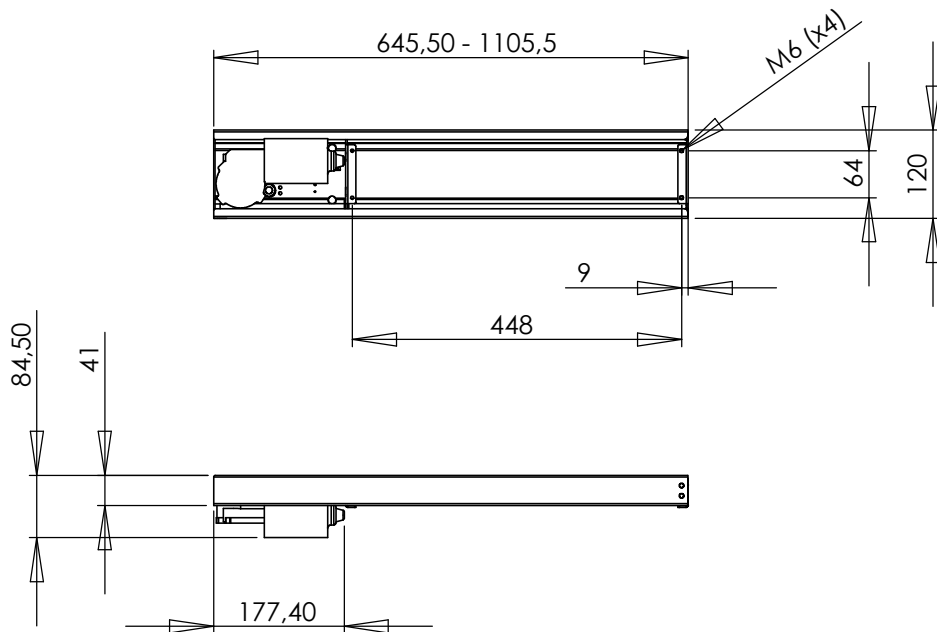
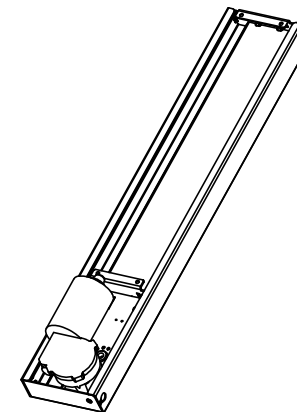



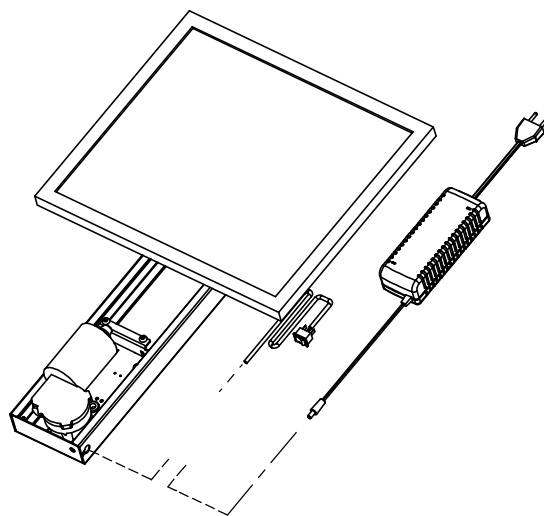
A




A



| | | |
|---|-------------------------|--|
| UNLESS OTHERWISE SPECIFIED DIMENSIONS ARE IN MM TOLERANCES ARE: According to DIN 7168-m | MATERIAL SPECIFICATION: | ConSet A/S <small>Staalvej 14-16 6900 Skjern Denmark</small> |
| | --- | |
|  MATERIAL FINISH | PROCES SPECIFICATION: | TS460 assembly |
| | --- | |
| DO NOT SCALE DRAWING | DRAWN JO | CHECKED GL |
| | DATE 070730 | |
| | | 10962x |
| | | REV. 0 |



| | | |
|--|--------------------------------|--|
| UNLESS OTHERWISE SPECIFIED DIMENSIONS ARE IN MM TOLERANCES ARE: According to DIN 7168-m | MATERIAL SPECIFICATION: --- | ConSet A/S Staalvej 14-16 6900 Skjern Denmark |
|  | PROCES SPECIFICATION: --- | |
| MATERIAL | --- | |
| FINISH | --- | |
| DO NOT SCALE DRAWING | DRAWN JO | CHECKED GL |
| DATE 031025 | | REV. 0 |