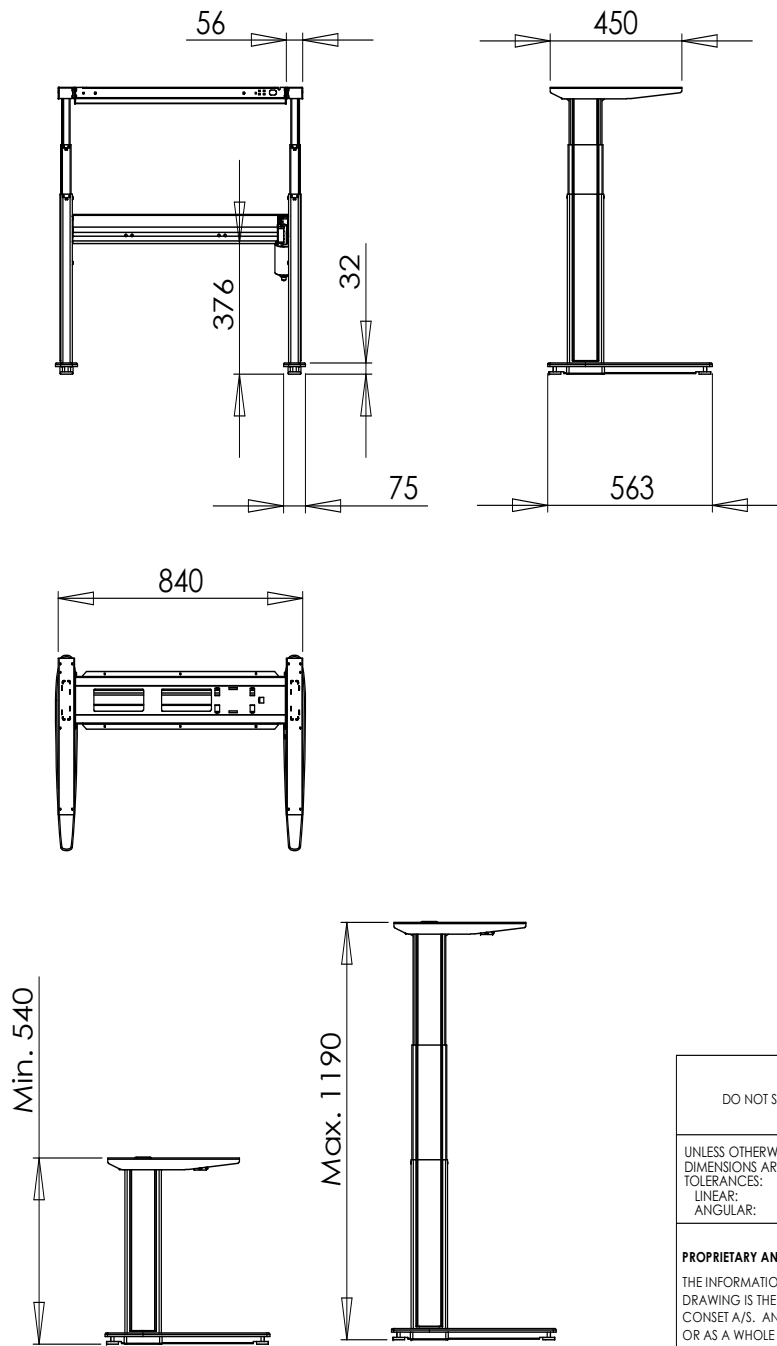

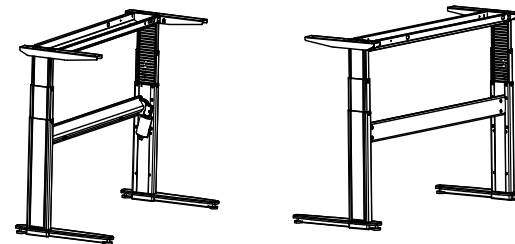
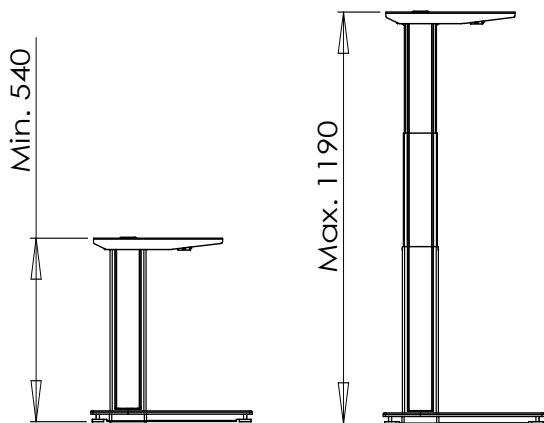
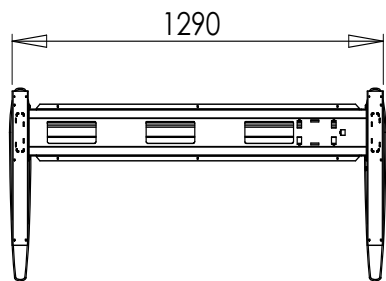
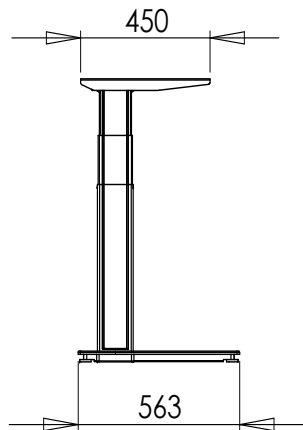
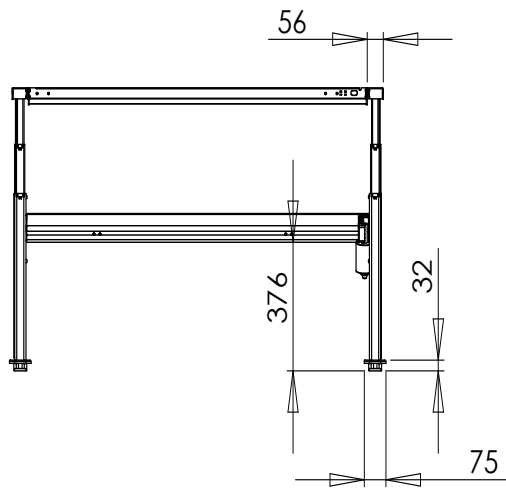


501-27 ширина 84 см.



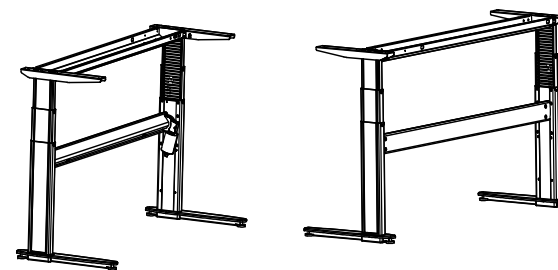
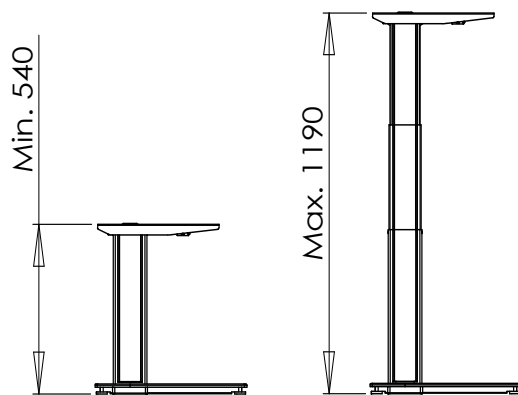
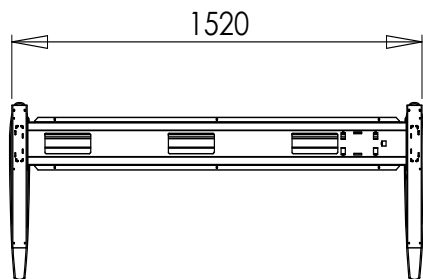
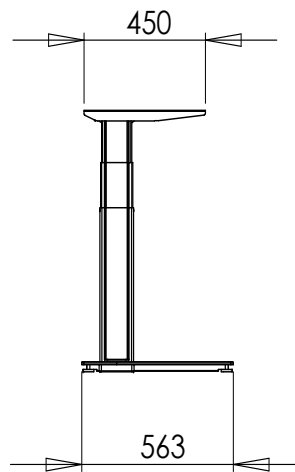
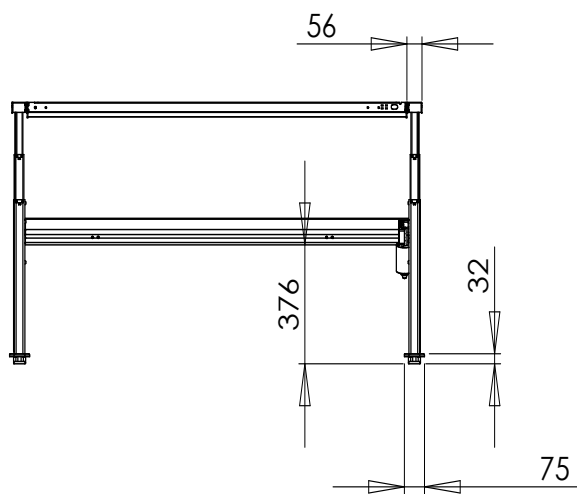
DO NOT SCALE DRAWING	SHEET 1 OF 2			ConSet A/S Staalvej 14-16 DK-6900 Skjern Denmark www.conset.com
UNLESS OTHERWISE SPECIFIED: DIMENSIONS ARE IN MILLIMETERS TOLERANCES: LINEAR: According to ANGULAR: DIN 7168-m	DRAWN	NAME jo	DATE 27-07-09	TITLE: 501-27 84cm
	CHECKED			
PROPRIETARY AND CONFIDENTIAL THE INFORMATION CONTAINED IN THIS DRAWING IS THE SOLE PROPERTY OF CONSET A/S. ANY REPRODUCTION IN PART OR AS A WHOLE WITHOUT THE WRITTEN PERMISSION OF CONSET A/S IS PROHIBITED.	Processes: assembly		DWG NO. 120320	REVISION 0
	WEIGHT:			

501-27 ширина 129 см.



DO NOT SCALE DRAWING	SHEET 1 OF 4			ConSet A/S Staalvej 14-16 DK-6900 Skjern Denmark www.conset.com	
UNLESS OTHERWISE SPECIFIED: DIMENSIONS ARE IN MILLIMETERS TOLERANCES: LINEAR: According to ANGULAR: DIN 7168-m	DRAWN	NAME jo	DATE 27-07-09	TITLE: 501-27 129cm	
	CHECKED				
PROPRIETARY AND CONFIDENTIAL THE INFORMATION CONTAINED IN THIS DRAWING IS THE SOLE PROPERTY OF CONSET A/S. ANY REPRODUCTION IN PART OR AS A WHOLE WITHOUT THE WRITTEN PERMISSION OF CONSET A/S IS PROHIBITED.	Processes: assembly			DWG NO.	REVISION
	WEIGHT:			120310	0

501-27 ширина 152 см.



DO NOT SCALE DRAWING	SHEET 1 OF 2			ConSet A/S Staalvej 14-16 DK-6900 Skjern Denmark www.conset.com
UNLESS OTHERWISE SPECIFIED: DIMENSIONS ARE IN MILLIMETERS TOLERANCES: LINEAR: According to ANGULAR: DIN 7168-m	DRAWN	NAME	DATE	TITLE:
	CHECKED	jo	27-07-09	501-27 152cm
PROPRIETARY AND CONFIDENTIAL THE INFORMATION CONTAINED IN THIS DRAWING IS THE SOLE PROPERTY OF CONSET A/S. ANY REPRODUCTION IN PART OR AS A WHOLE WITHOUT THE WRITTEN PERMISSION OF CONSET A/S IS PROHIBITED.	Processes:		assembly	DWG NO.
	WEIGHT:			120300
				REVISION 0