

DESK PANEL DPF WITH DISPLAY

Features:

- Up and down drive
- 3 memory positions
- Display with white LED
- Colour black (RAL 9005) plastic, front cover and buttons or white (RAL 9016) plastic, front cover and buttons. Both versions with chrome print
- Black cable with modular jack plug, 1700 mm straight
- One reference (one system)

Options:

- "DPF4T"-Multi reference DPF for controlling up to four references on a CBD (e.g. height of the desk and screen adjustment)
- Different ways of mounting – straight or angled mounting bracket (to be ordered separately)

Usage:

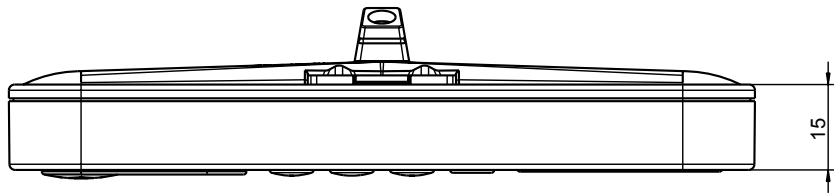
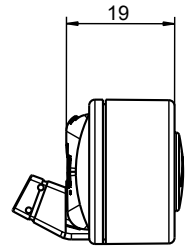
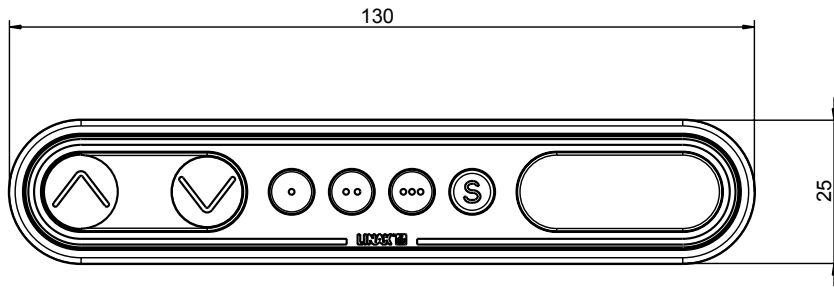
- Ambient temperature +5 °C to +40 °C
- Compatible with CBD4, CBD5 and CBD6
- Approved according to EN 60335-1 and UL962



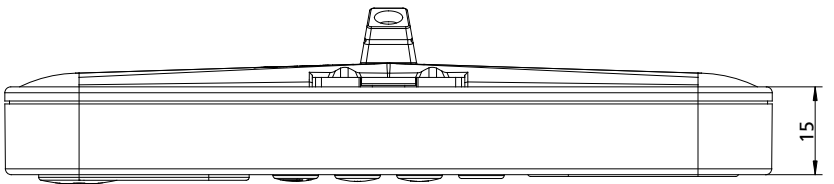
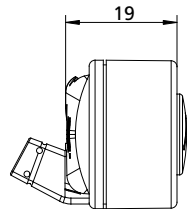
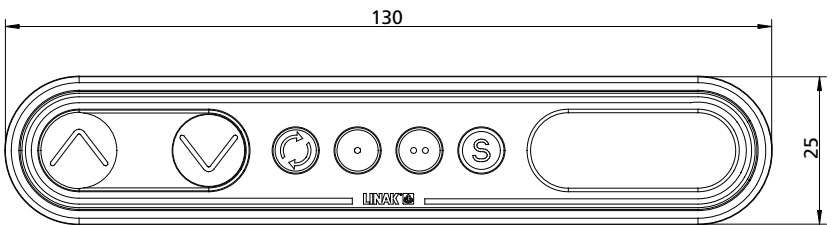
The DPF1C desk panel is a perfect choice for a wide range of desks and workstations with a demand for a panel with height read-out. The hallmark of the DPF desk panel series is the modern design, which combines classic looks with intuitive, practical use. The up and down buttons have been made extra "user-friendly" as they are shaped "according to the function", meaning the user can feel the differences and it is not necessary to look when operating the system.

The DPF1C has a display for height read-out in either cm or inches and memory to store the favourite positions. The display switches off when not in use thereby saving power in standby mode. As an extra feature, the panel can be used for diagnostics as error codes can be displayed.

Dimensions (DPF1C with display, memory and 1 reference):



Dimensions (DPF4T with display, memory and multi references):

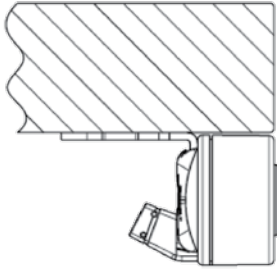


Mounting of the DPF:

The DPF must be mounted via a mounting bracket. The mounting bracket comes in 4 different versions depending on how the panel should be mounted. Below are some examples on ways to mount:

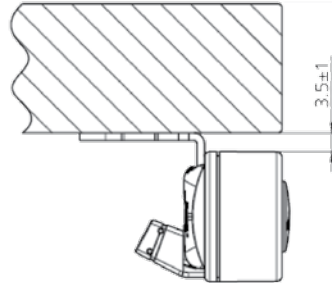
Example 1: (Article number 914759)

The panel is mounted with a 90° bracket and placed closed to the tabletop.



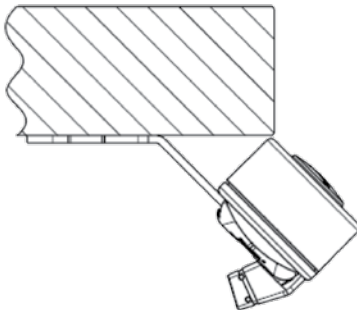
Example 2: (Article number 914757)

The panel is mounted with a 90° bracket and placed with a distance to the tabletop.



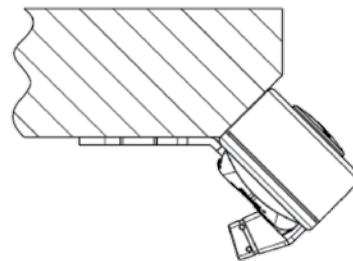
Example 3: (Article number 914760)

The panel is mounted with a 45° bracket and placed at the edge of the tabletop.



Example 4: (Article number 914785)

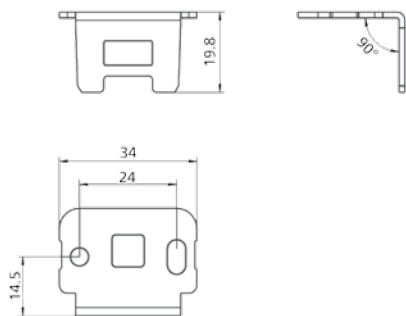
The panel is mounted with a 45° bracket and placed on a tabletop with angled front.



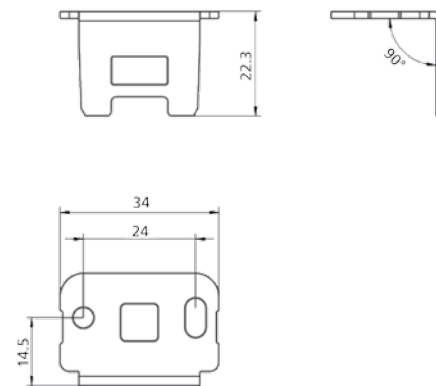
To mount the panel: Just click the panel into the bracket and it is fixed.

Drawings of the mounting brackets:

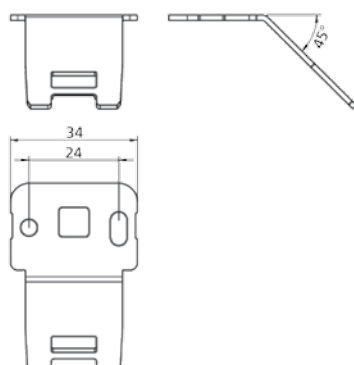
Article number 914759



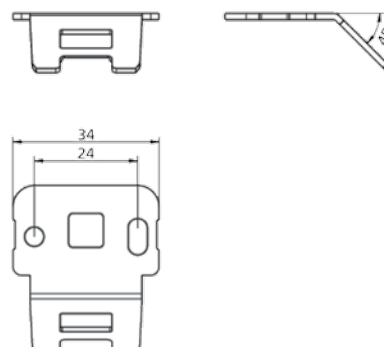
Article number 914757



Article number 914760

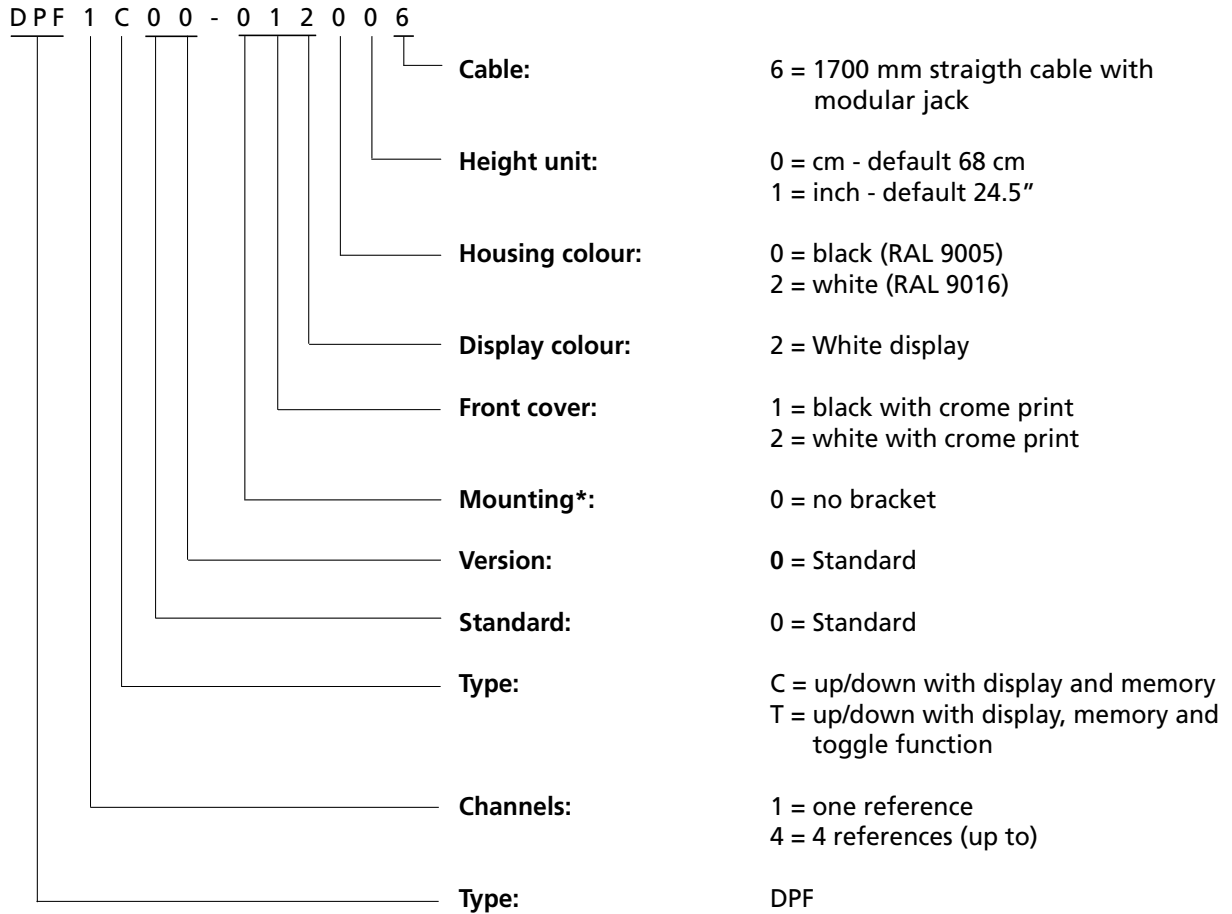


Article number 914785



DPF1C

Ordering example:



* Brackets must be ordered separately.

Mounting brackets: (delivered in bags with 100 pieces)

Article number	Description
914759	90° bracket, no distance to the tabletop
914757	90° bracket, with distance to the tabletop
914760	45° bracket, for a straight table front
914785	45° bracket, for angled table front

Terms of use

The user is responsible for determining the suitability of LINAK products for specific application. LINAK takes great care in providing accurate and up-to-date information on its products. However, due to continuous development in order to improve its products, LINAK products are subject to frequent modifications and changes without prior notice. Therefore, LINAK cannot guarantee the correct and actual status of said information on its products. While LINAK uses its best efforts to fulfil orders, LINAK cannot, for the same reasons as mentioned above, guarantee the availability of any particular product. Therefore, LINAK reserves the right to discontinue the sale of any product displayed on its website or listed in its catalogues or other written material drawn up by LINAK. All sales are subject to the Standard Terms of Sale and Delivery for LINAK. For a copy hereof, please contact LINAK.