



Desklift DL11
Data sheet

DL11

The DL11 DESKLIFT is a compact round 3-part lifting column, which is a perfect choice for a wide range of different desk applications like office desks or conference desks. The 3-part construction ensures a short installation dimension combined with a long stroke length, making the DL11 an optimum choice no matter what the height of the person using the desk is. The DL11 has the same outer dimensions and mounting holes as the 2-part DL10 column, which makes them compatible and they can be used in the same tabletop and table foot construction.

The DL11 is available in several standard colours to fit into a wide range of desk designs. Optional PIEZO™ (collision protection) can be chosen. PIEZO minimises the risk for material damages on a desk caused by collision with an obstacle.

The DL11 is compatible with the standard DESKLINE control box (CBD). No matter which box is preferred, they all ensure a very low and pleasant noise level and a wide range of options. The DL11 is also available in an extended version called XL that is optimised for adjustment of display and monitor stands.



Features:

- Compact design where guide and actuator functions are an integrated unit
- Reinforced column and optimised motor housing design for extra strength and stability
- Plug mounted on the DL11 for connection to the CBD with a separate DESKLINE® motor cable
- Max. thrust: 800 N per column (600 N for XL version)
- Max. speed: 38 mm/s unloaded
- Standard installation dimension 575 mm
- Standard installation dimension with PIEZO 560 mm
- Standard stroke length 635 mm
- Standard stroke length with PIEZO 650 mm
- Weight: 7.5 kg pr. column (DL11000A0E650560)
- Dimensions column: 70 mm (outer profile), 63.5 mm (middle profile), and 57 mm (inner profile)
- Dimension motor housing: 177 x 97 x 46 mm
- Bending moment: $M_y = \max. 150 \text{ Nm dynamic}$ (max. 100 Nm for DL11XL)
- Colour: all parts black (RAL 9005), all parts grey (RAL 9006) or all parts white (RAL 9016)
- Low noise level
- Synchronous drive of the middle profile
- Hall sensor enabling parallel drive with the CBD
- The DL11 profile is secured against rotation/twisting

Options:

- Customised colours
- PIEZO™ for integrated sensor minimising the risk for damages on a desk caused by squeezing or blocking it in upward or downward direction
- Extended version XL dedicated for flat screens
 - Installation dimensions 740 mm
 - Stroke length 965 mm
 - Load 600 N
 - Bending moment max 100 Nm
 - Colour: Black RAL 9005, Grey RAL 9006 or White RAL 9016
 - Duty cycle 5% ~ 3 minutes per hour OR 2 minutes of continuous use at full load
- Compatible with the Kick & Click™ mounting solution
- Compatible with DESKLIFT™ Feet

Usage:

- Single or 2, 3 or 4 parallel drive or even multi-parallel with up to 16 columns
- Duty cycle: 10% ~ 6 minutes per hour OR 2 minutes of continuous use at full load
- Ambient temperature: +10° to +40 °C
- Compatible with DESKLINE control boxes and all DESKLINE controls
- Approved according to EN 60335-1 and UL 962
- Storage and transport temperature: -10°C to +70°C

Technical specifications :

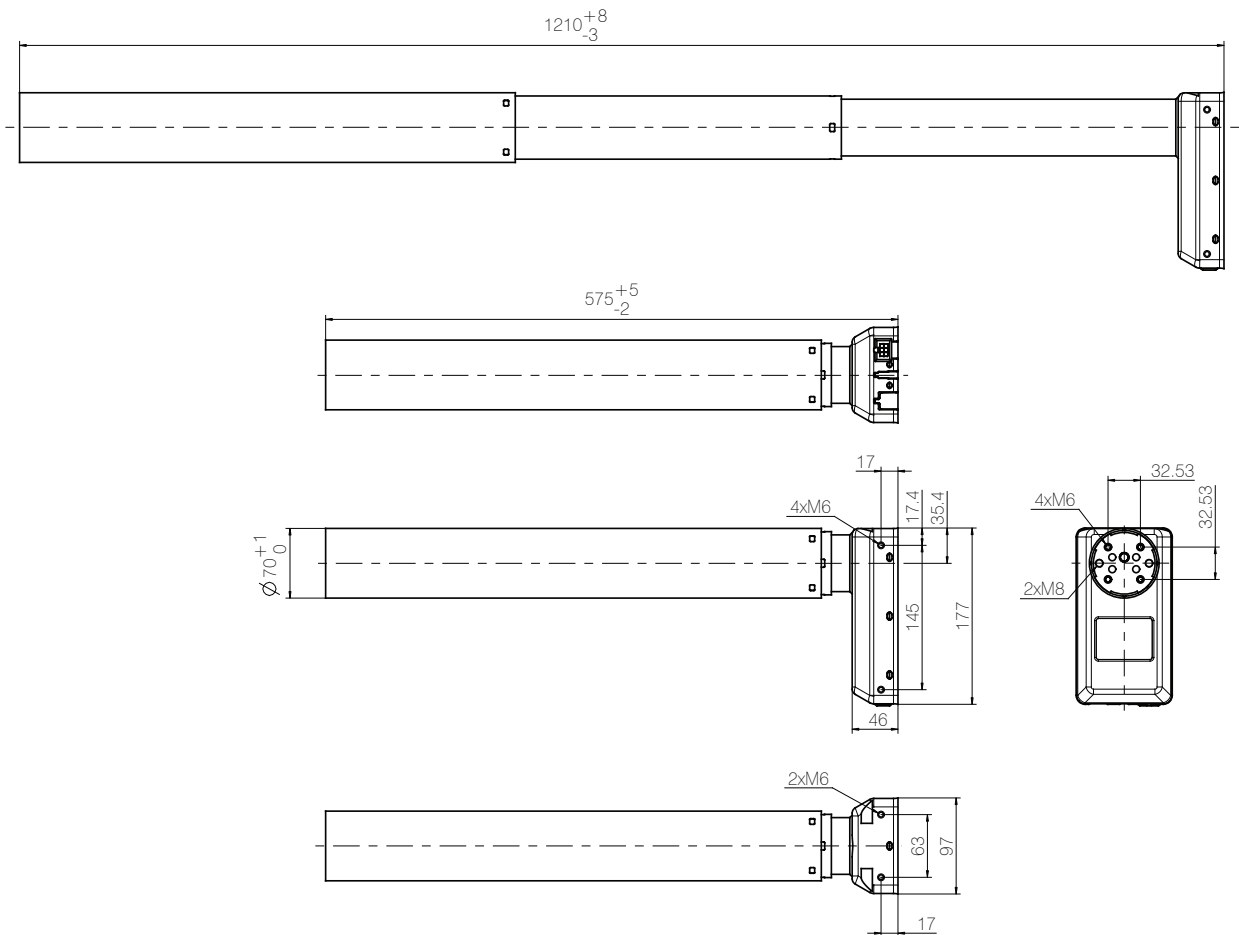
Type	Max. Thrust pr. DL (N)	Self-lock pr. DL (N)	Max. Twisting moment* (Nm)	Speed at 0 load (mm/s)	Duty cycle (%)	Spindle pitch (mm)	Stroke length (mm)	Built-in length (mm)
DL11	800	800	200	38	10	20	635/650	575/560
DL11XL	600	600	200	38	5	20	965	740

* The twisting/rotation moment indicates the maximum moment that the column can adapt in the rotation direction.

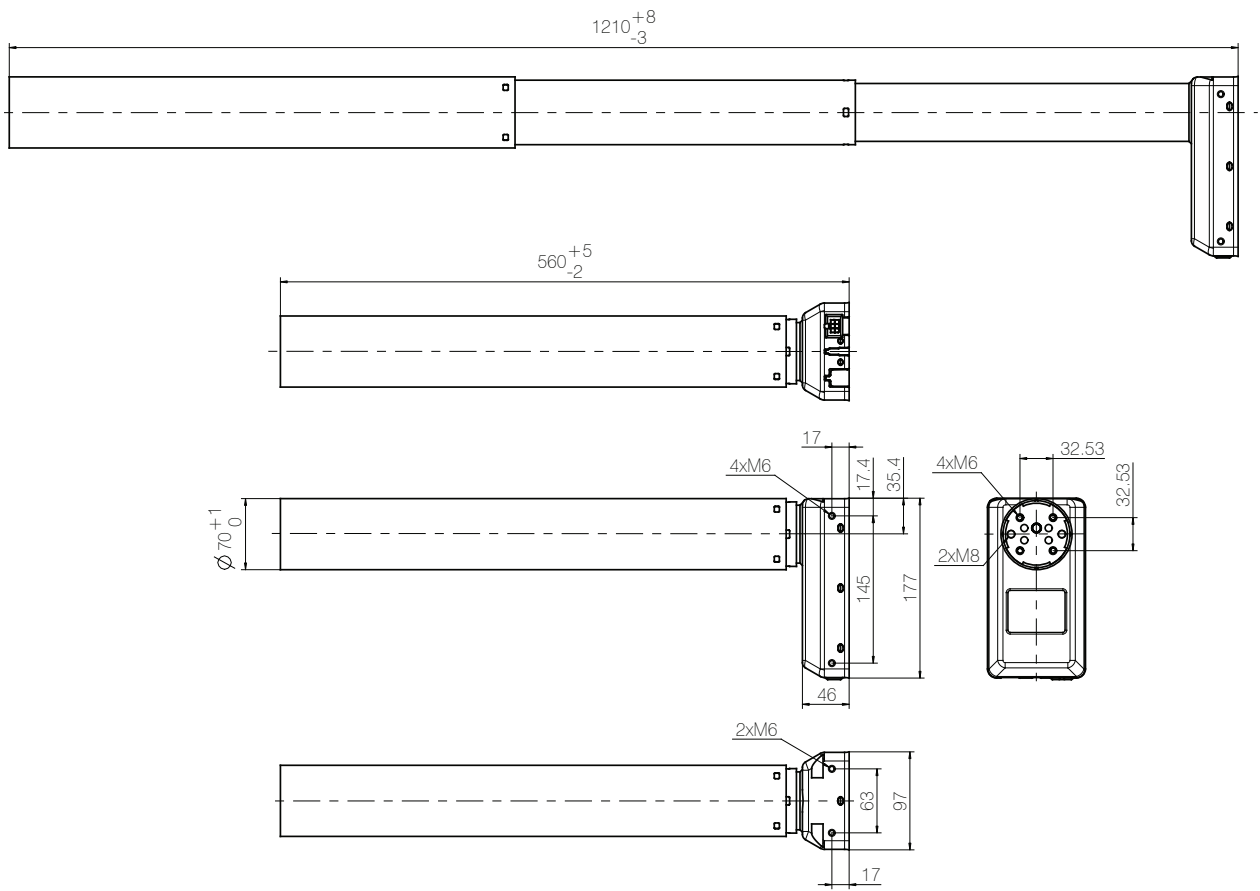
The measurements above are made in connection with the control box CBD4/6S.

At a fully retracted length of 575 mm (or 560 mm with PIEZO) $\pm 5/-2$ mm and a stroke length of 635mm (or 650mm with PIEZO) ± 3 mm it is possible for a standard system to obtain an adjustment interval of the desktop of e.g. 600 – 1250 mm. Thus, the desk can be used for sitting as well as standing type of work.

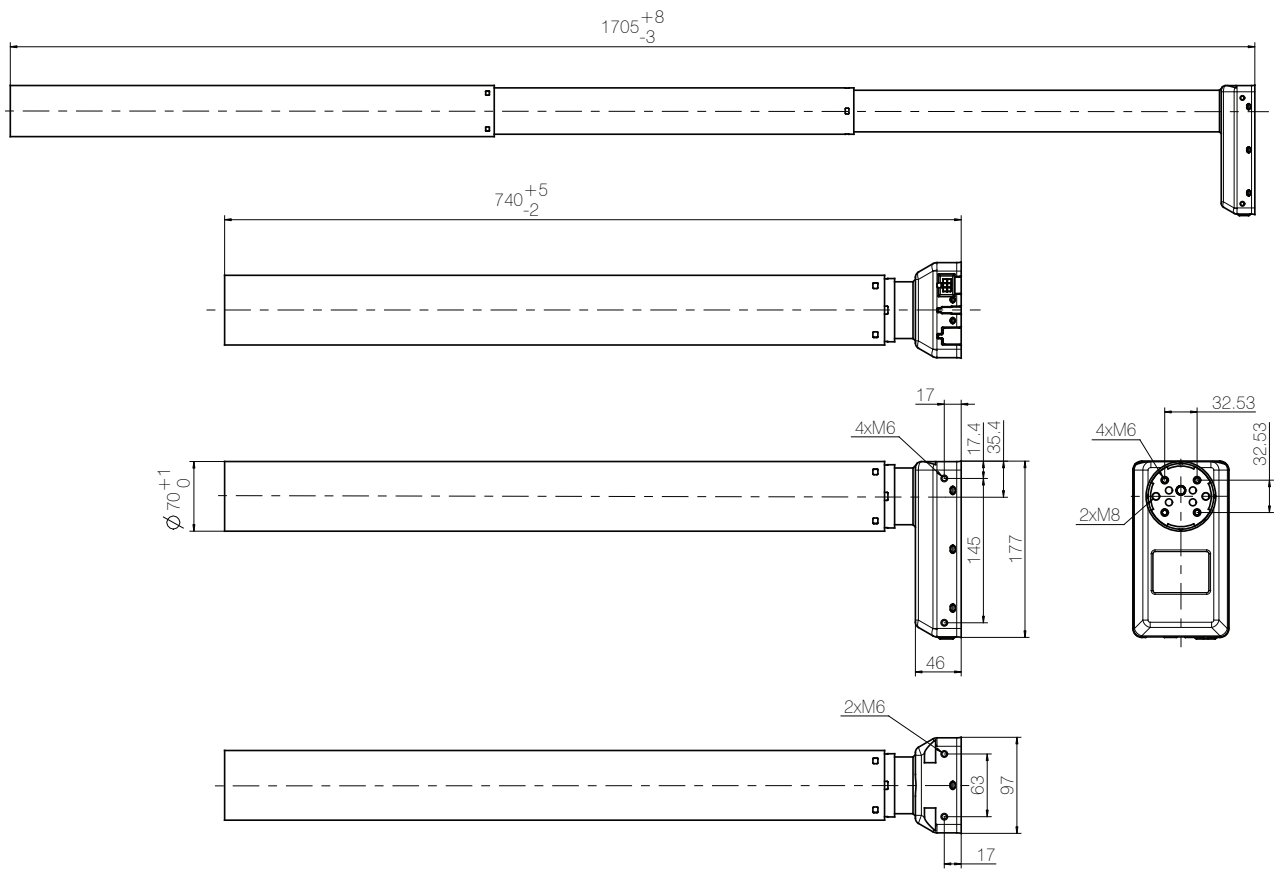
Dimensions, standard DL11



Dimensions, standard DL11 with PIEZO™

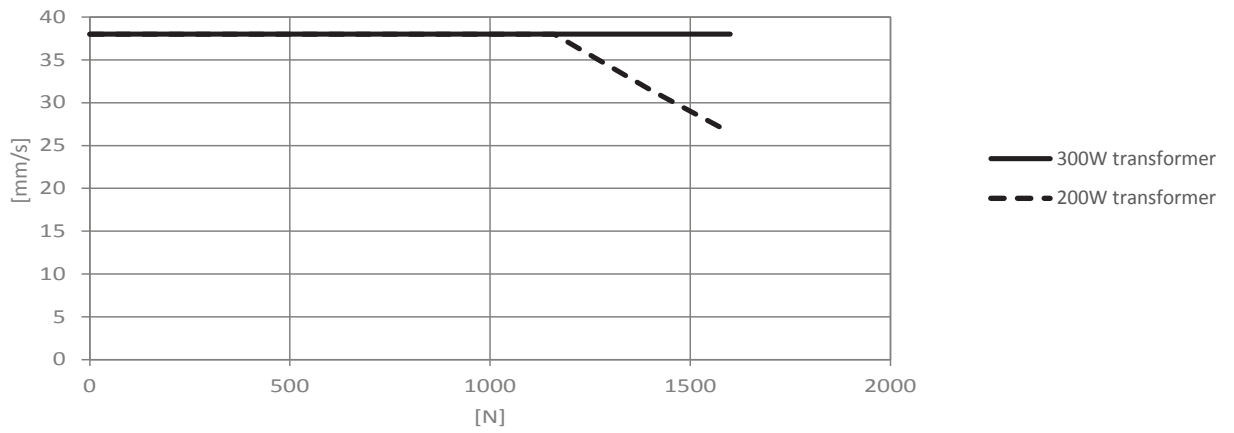


Dimensions, extended version DL11XL

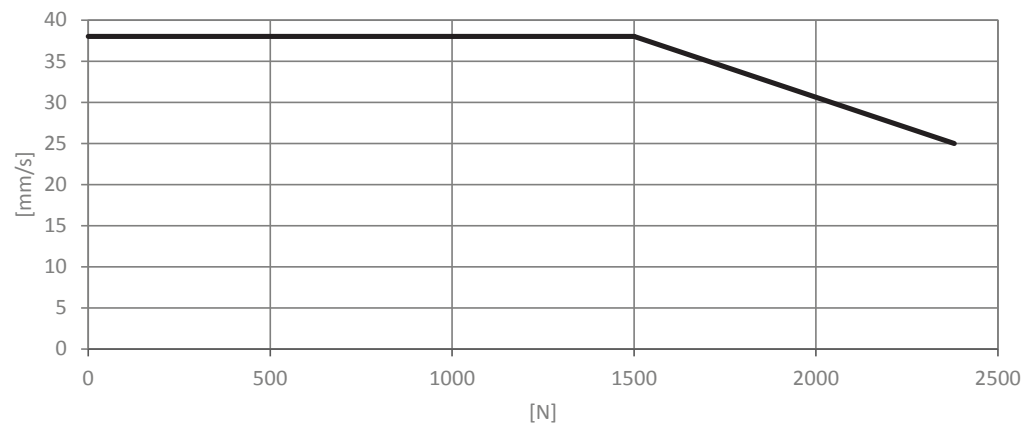


Curves DL11 (20 mm spindle) with CBD6S

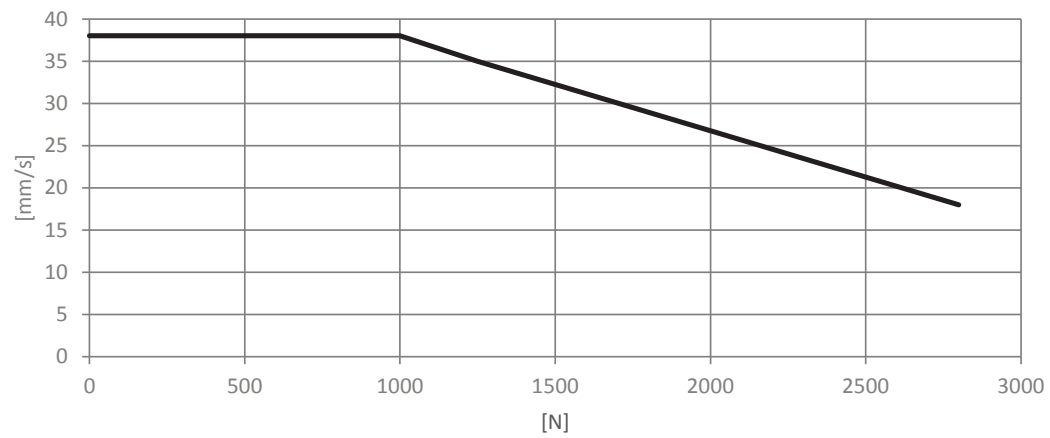
2 x DL6/9/11/16 (equally loaded) with CBD6S



3 x DL6/9/11/16 (equally loaded) with CBD6S (300W)



4 x DL6/9/11/16 (equally loaded) with CBD6S (300W)



DL11

Ordering example:

DL11	0	0	0	B	0	0	635	575	
									Installation dim. :
									575 = 575 mm (Standard)
									560 = 560 mm (Standard PIEZO)
									740 = 740 mm (XL)
									Stroke length:
									635 = 635 mm (Standard)
									650 = 650 mm (Standard PIEZO)
									965 = 965 mm (XL)
									Motor type:
									0 = Standard
									E = PIEZO + ID
									Option:
									0 = Standard
									Colour:
									A = Grey (RAL 9006)
									B = Black (RAL 9005)
									D = White (RAL 9016)
									Option:
									0 = Standard
									Plug:
									0 = 6-pole minifit plug
									Spindle type:
									0 = 2 x 10 mm pitch
									Actuator type:
									DL11



All cables for creating a fully connected DESKLINE system must be ordered separately. We offer a range of different versions and lengths. Regarding information as ordering number, colour and length of the cables please contact your local LINAK..

Terms of use

The user is responsible for determining the suitability of LINAK products for specific application. LINAK takes great care in providing accurate and up-to-date information on its products.

However, due to continuous development in order to improve its products, LINAK products are subject to frequent modifications and changes without prior notice. Therefore, LINAK cannot guarantee the correct and actual status of said information on its products.

While LINAK uses its best efforts to fulfil orders, LINAK cannot, for the same reasons as mentioned above, guarantee the availability of any particular product. Therefore, LINAK reserves the right to discontinue the sale of any product displayed on its website or listed in its catalogues or other written material drawn up by LINAK.

All sales are subject to the Standard Terms of Sale and Delivery for LINAK. For a copy hereof, please contact LINAK.