



Instruction sheet—LEEMC LCD step motorized lift

Model number: LCD

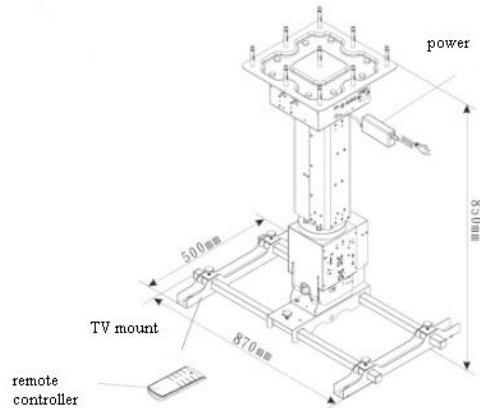
1, Specification

1-1, Exterior dimension:

D:870mm

W:500mm

H:850mm



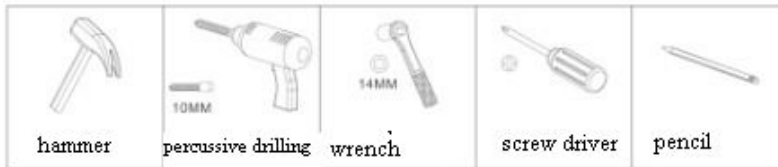
1-2, spare parts:

① 2pcs	② 2pcs	③ 2pcs	④ 2pcs	⑤ 2pcs
⑥ 9pcs	⑦ 6pcs	⑧ 1pcs		

Remark:A:Please use the spare parts from our factory ,in order to avoid any accident please don't use any other spare parts without approval.

B:Please check all the spare parts, please contact us if any losing and damage.

1-3,install tooling(factory not supply)



2,electric specification

2-1 ,Input voltage ,output current

A: input voltage/current/frequency: 100-240V,AC

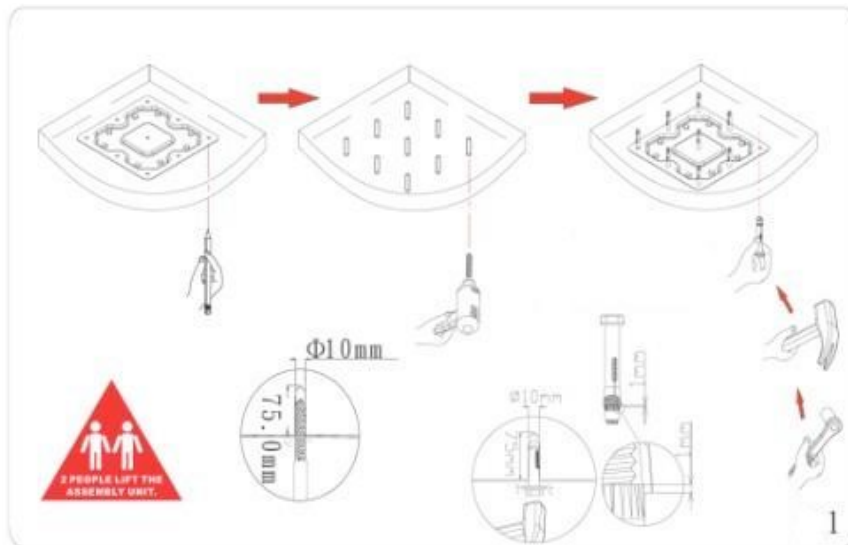
B: output current: DC240V,3A

2-2 Motor

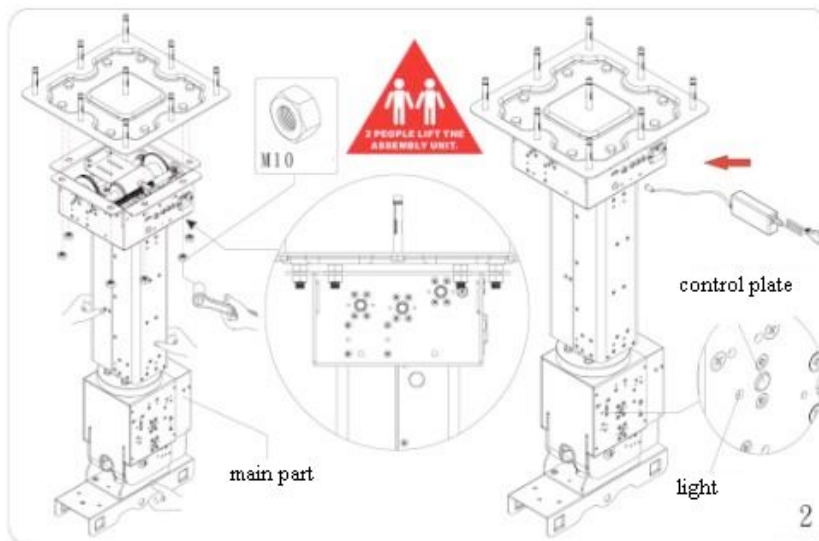
Type	Voltage	No-load current	Load current	Temperature
DN3435-3046	DC24V	≤0.5A	≤1.5A	-20□~50□
PR545AG-12300-IG32-721	DC24V	≤0.3A	≤0.5A	-20□~50□

3, Installation

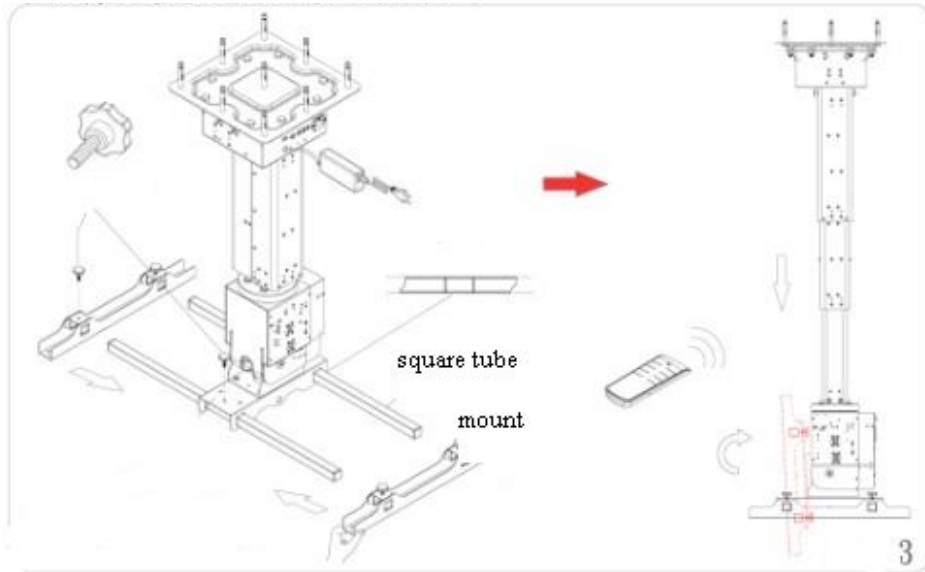
3-1, Make sure the wall is firm enough to be mounted this product. Make the note on the ceiling by the pencil, use the percussive drilling to make the holes :depth :75mm, long:10mm. Put the 9pcs screws⑥ to the holes.(photo1)



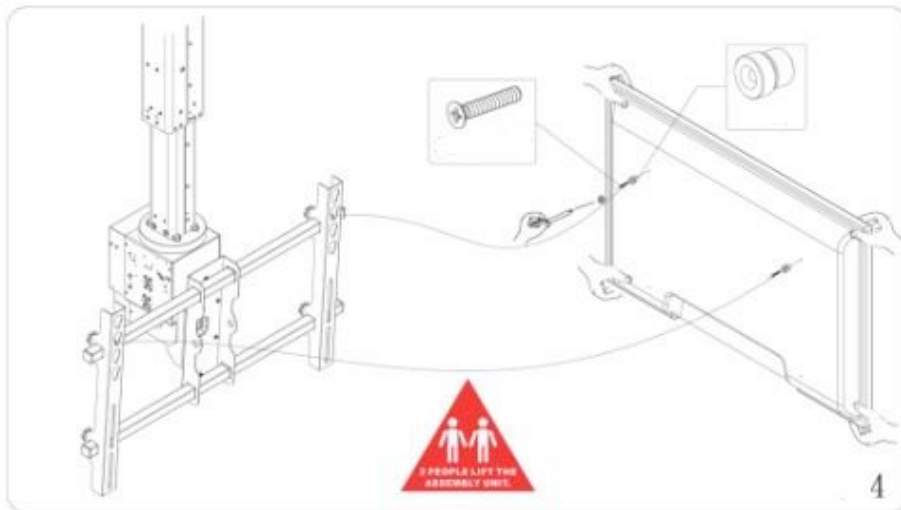
3-2, Take away 8pcs screws, 2 people lift and install the main part, and mount the top plate. Connect the power.(photo2)



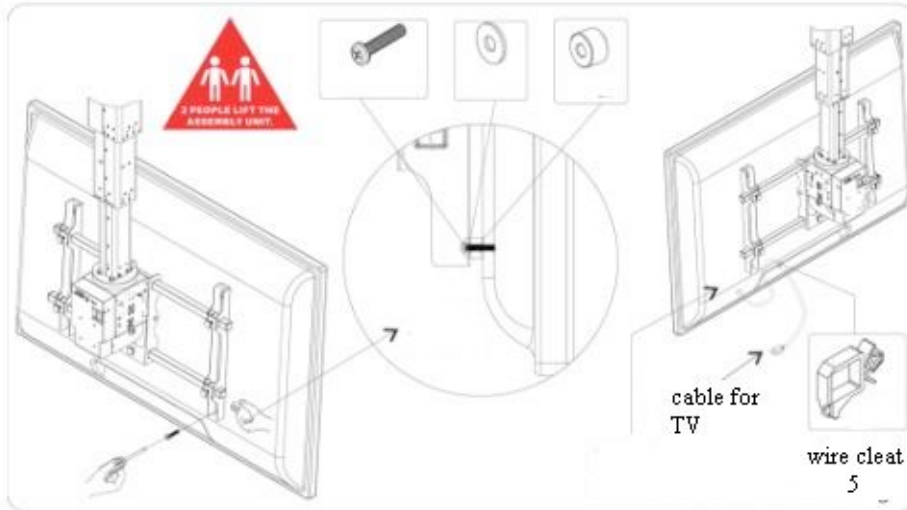
3-3, Insert the square tube to the plate by 2pcs ⑦ screws. Install the TV mounts on the two sides of the tubes. Adjust the position based on the holes on the back side of the TV by the 4pcs ⑦ screws. Press the button “on” in the remote controller to let the product down.(photo3)



3-4, Install screws ① & ② to the back side of the TV. Then mount the TV to the plate. (photo 4)

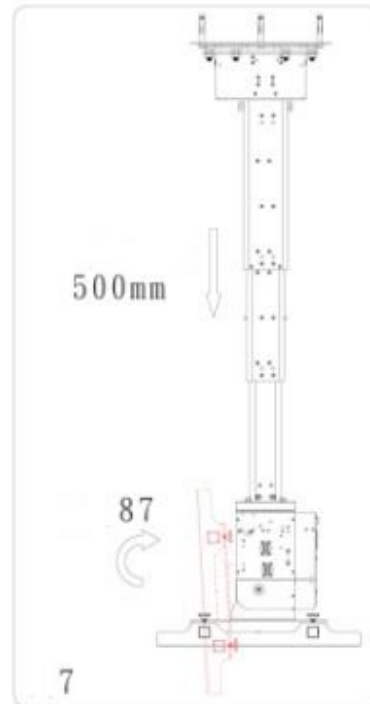
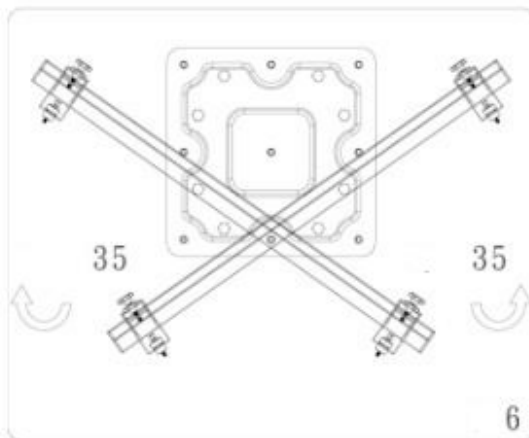


3-5, Use the screws ③ ④ ⑤ to tighten the TV and the mount. Put the cable of the TV to the wire cleat. (photo 5)



4.

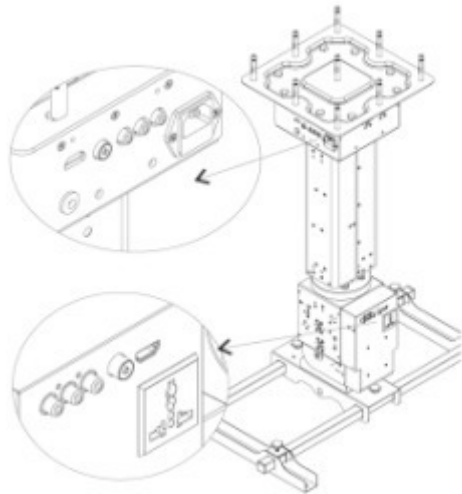
4-1, The tv can be controlled turn left and right for 35° , pitching 87° , distance 500mm



4-2, connectors:

A: connectors on the top side of the unit: power input/video input/audio input/TV signal input. Connect those inputs into the TV on the bracket. Please don't connect to the TV directly.

B: connectors on the bottom side of the unit: power /video output/audio output/TV signal



5,Parameter:

	Fit for LCD(inch)	Exterior Size(mm)	Install max size(mm)	Install min size(mm)	Load capacity(kg)	Left/right angel	Up/down angel	Net W(kg)
LCD85-3C	46-50	870*500*850	830*450	600*300	50	±35	0-87	34.3±10

6,Remark:

