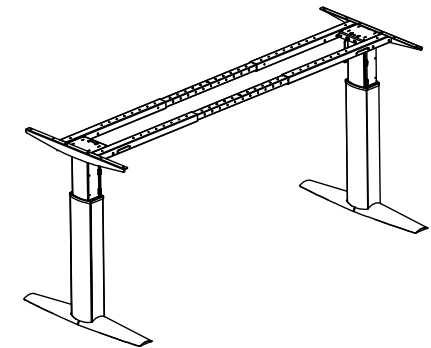
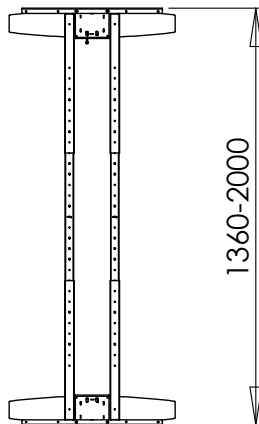
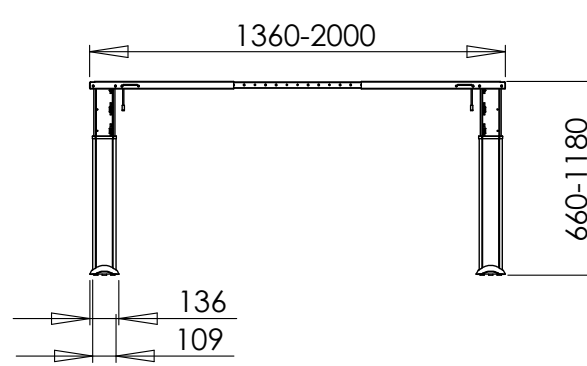
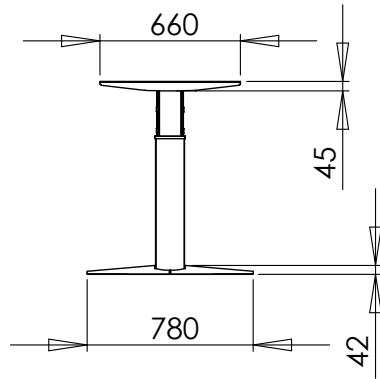


501 – 23 две опоры.

THE INFORMATION CONTAINED IN THIS DRAWING IS THE SOLE PROPERTY OF CONSET A/S ANY REPRODUCTION IN PART OR WHOLE WITHOUT THE WRITTEN PERMISSION OF CONSET A/S IS PROHIBITED.



UNLESS OTHERWISE SPECIFIED
DIMENSIONS ARE IN MM
TOLERANCES ARE:
According to DIN 7168-m



MATERIAL

FINISH

DO NOT SCALE DRAWING

MATERIAL SPECIFICATION:

PROCES SPECIFICATION:

DRAWN CHECKED DATE
JO GL 070415

ConSet A/S Staalvej 14-16
6900 Skjern
Denmark

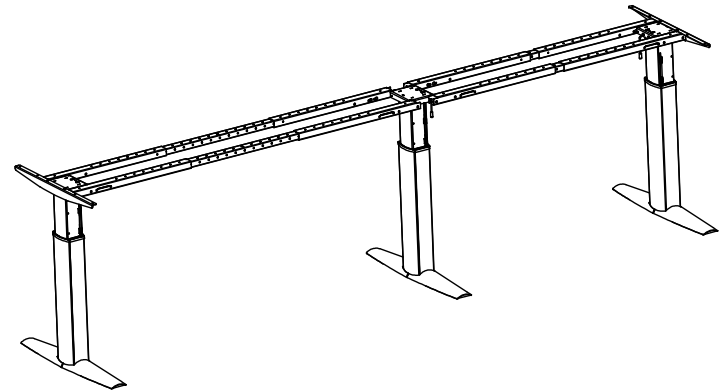
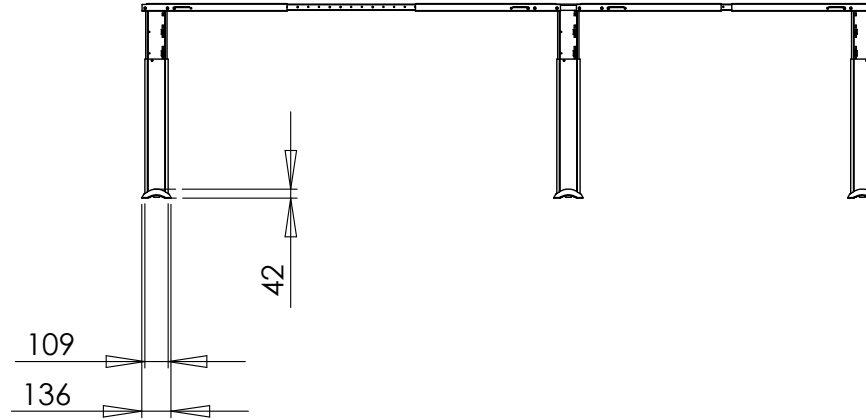
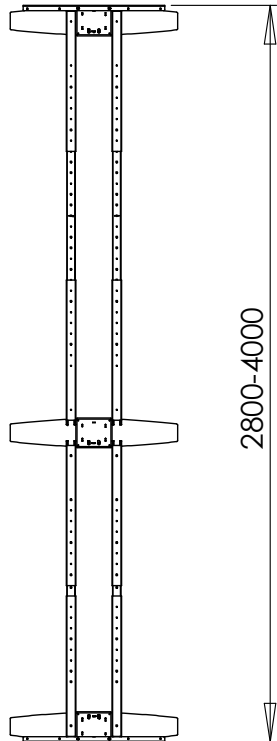
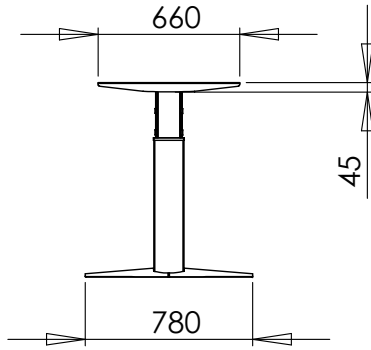
501-23, 2 column

109080

REV.
0

501 – 23. 3 опора - линия

THE INFORMATION CONTAINED IN THIS DRAWING IS THE SOLE PROPERTY OF CONSET A/S ANY REPRODUCTION IN PART OR WHOLE WITHOUT THE WRITTEN PERMISSION OF CONSET A/S IS PROHIBITED.



UNLESS OTHERWISE SPECIFIED
DIMENSIONS ARE IN MM
TOLERANCES ARE:
According to DIN 7168-m



MATERIAL

FINISH

DO NOT SCALE DRAWING

MATERIAL SPECIFICATION:

PROCES SPECIFICATION:

DRAWN JO CHECKED GL DATE 070415

ConSet A/S Staalvej 14-16
6900 Skjern
Denmark

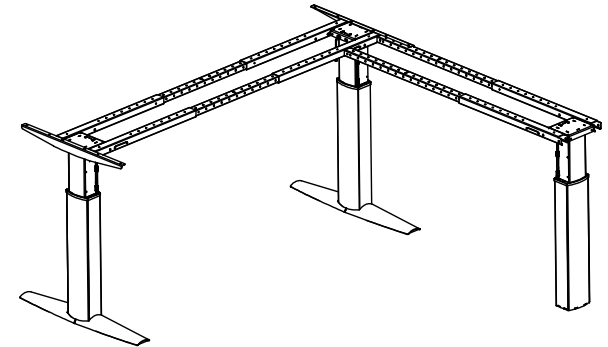
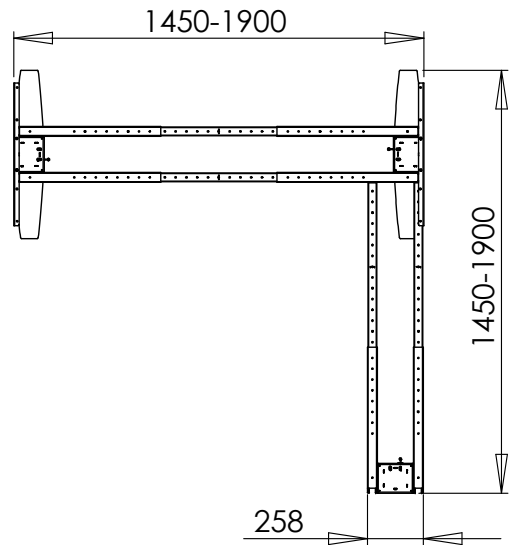
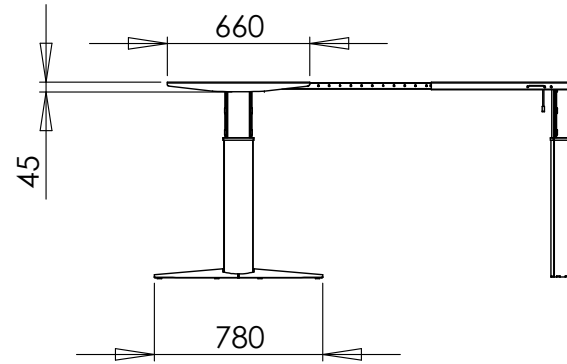
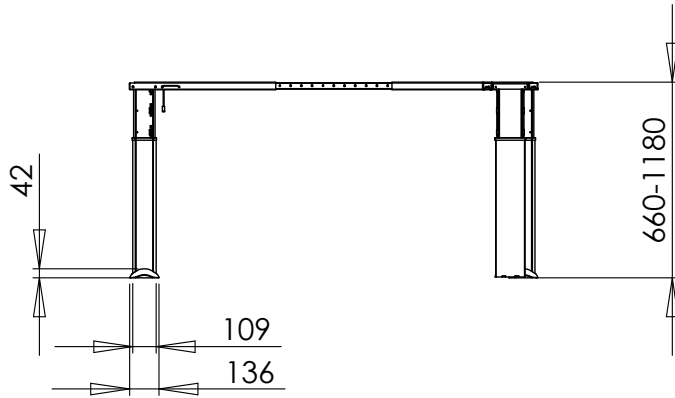
501-23, 3 column straight


109080

REV.
0

501 – 23. 3 опоры – 90 градусов.

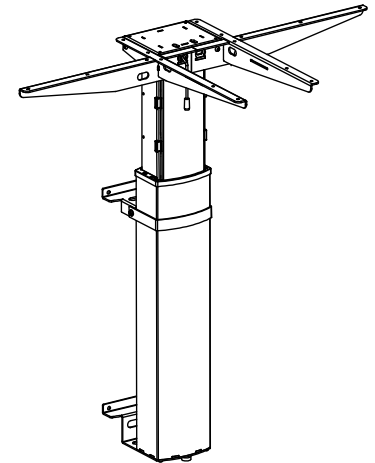
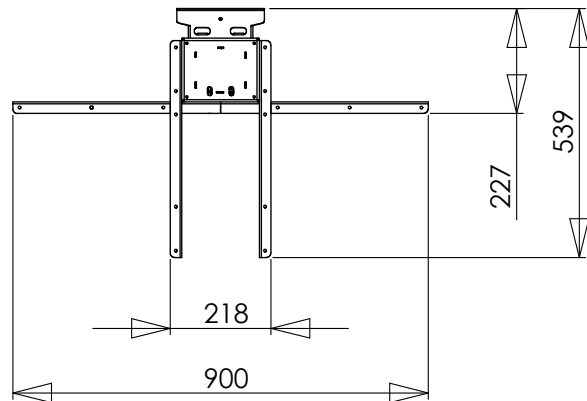
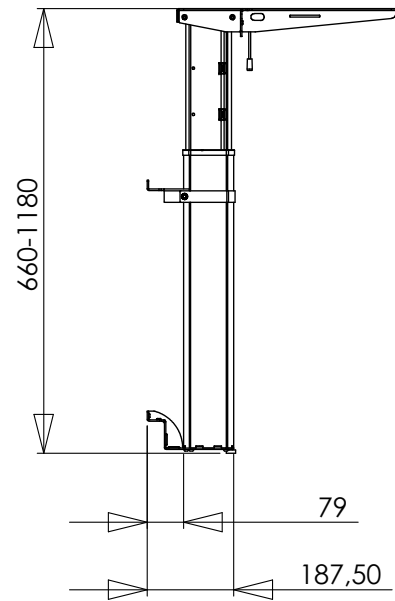
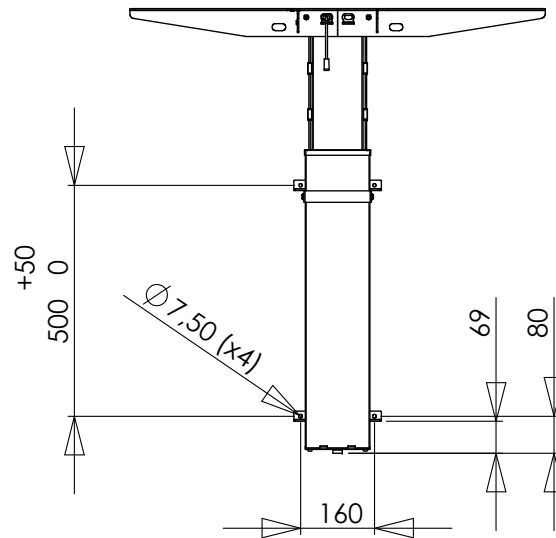
THE INFORMATION CONTAINED IN THIS DRAWING IS THE SOLE PROPERTY OF CONSET A/S ANY REPRODUCTION IN PART OR WHOLE WITHOUT THE WRITTEN PERMISSION OF CONSET A/S IS PROHIBITED.



UNLESS OTHERWISE SPECIFIED DIMENSIONS ARE IN MM TOLERANCES ARE: According to DIN 7168-m		MATERIAL SPECIFICATION: ---	ConSet A/S <small>Staalvej 14-16 6900 Skjern Denmark</small>
		PROCES SPECIFICATION: ---	
MATERIAL		---	501-23, 3-column
FINISH		---	
DO NOT SCALE DRAWING	DRAWN JO	CHECKED GL	DATE 070415
			REV. 0

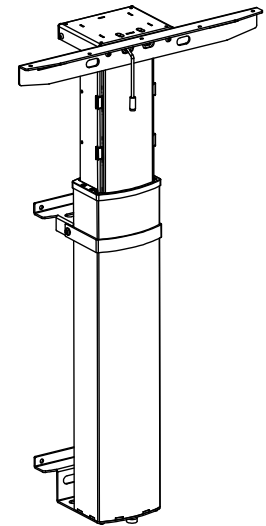
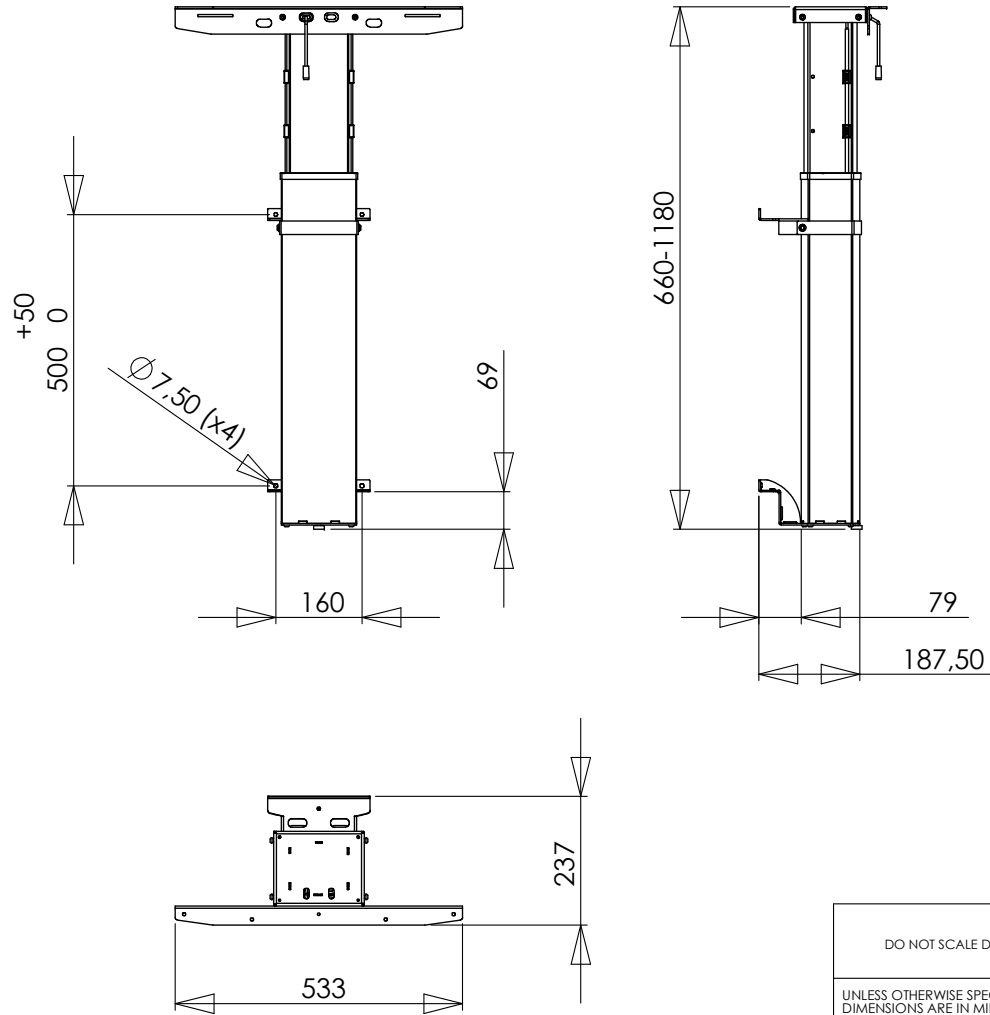
109080

501 – 23. Настенная.



DO NOT SCALE DRAWING	SHEET 1 OF 9			ConSet A/S Staalvej 14-16 DK-6900 Skjern Denmark
UNLESS OTHERWISE SPECIFIED: DIMENSIONS ARE IN MILLIMETERS TOLERANCES: LINEAR: According to ANGULAR: DIN 7168-m	DRAWN	NAME jo	DATE 28-10-09	TITLE: 501-19 Wall mounted
	CHECKED	Processes: assembly		DWG NO. 110610
PROPRIETARY AND CONFIDENTIAL THE INFORMATION CONTAINED IN THIS DRAWING IS THE SOLE PROPERTY OF CONSET A/S. ANY REPRODUCTION IN PART OR AS A WHOLE WITHOUT THE WRITTEN PERMISSION OF CONSET A/S IS PROHIBITED.	WEIGHT:			REVISION 3

501 – 23. Настенная.



DO NOT SCALE DRAWING	SHEET 9 OF 9			ConSet A/S Staalvej 14-16 DK-6900 Skjern Denmark
UNLESS OTHERWISE SPECIFIED: DIMENSIONS ARE IN MILLIMETERS TOLERANCES: LINEAR: According to ANGULAR: DIN 7168-m	DRAWN	NAME jo	DATE 28-10-09	TITLE: 501-19 Wall mounted
	CHECKED			DWG NO. 110610
PROPRIETARY AND CONFIDENTIAL THE INFORMATION CONTAINED IN THIS DRAWING IS THE SOLE PROPERTY OF CONSET A/S. ANY REPRODUCTION IN PART OR AS A WHOLE WITHOUT THE WRITTEN PERMISSION OF CONSET A/S IS PROHIBITED.	Processes: assembly			REVISION 3
	WEIGHT:			