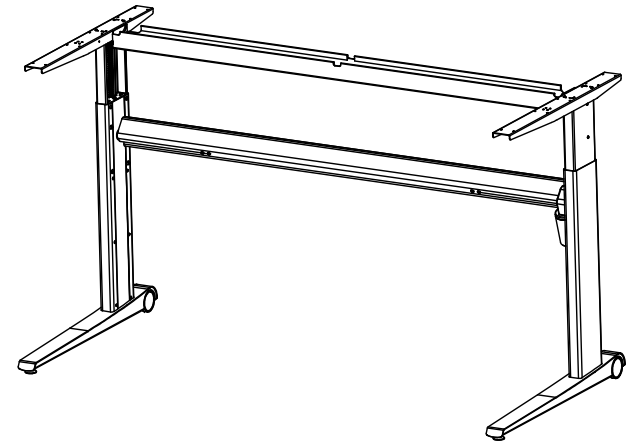
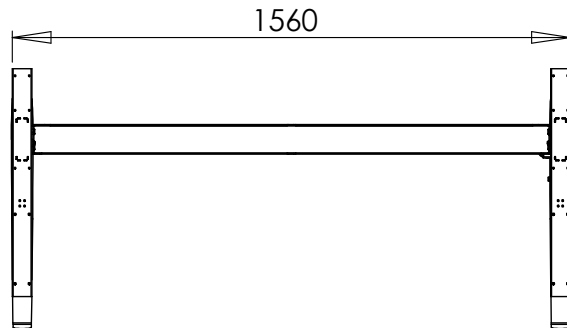
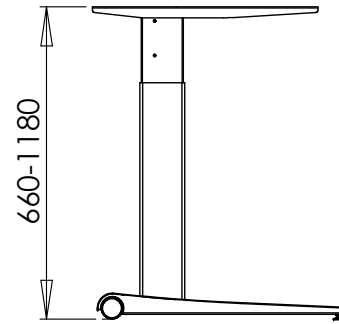
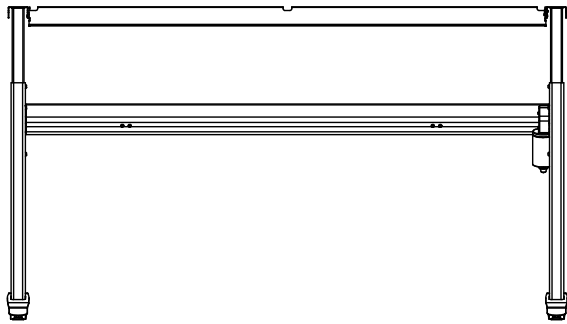



501 – 17 две опоры 156 см.

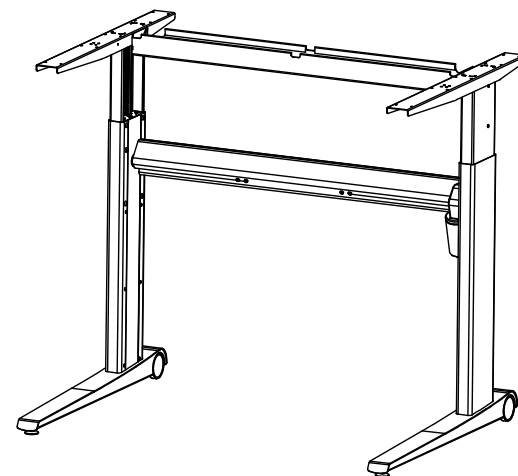
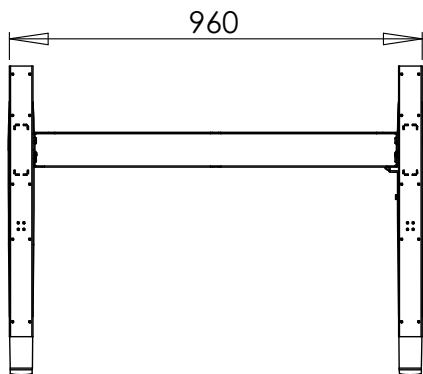
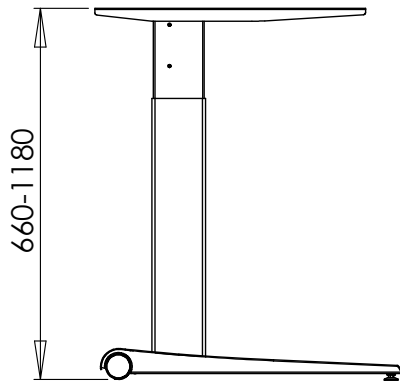
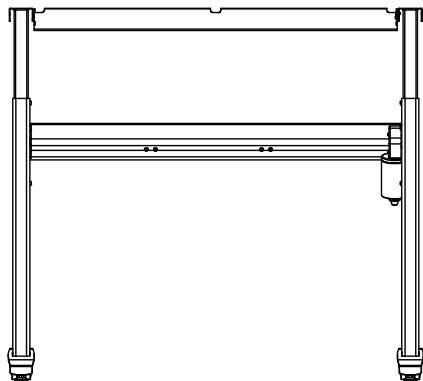
THE INFORMATION CONTAINED IN THIS DRAWING IS THE SOLE PROPERTY OF CONSET A/S ANY REPRODUCTION IN PART OR WHOLE WITHOUT THE WRITTEN PERMISSION OF CONSET A/S IS PROHIBITED.



UNLESS OTHERWISE SPECIFIED DIMENSIONS ARE IN MM TOLERANCES ARE: According to DIN 7168-m	MATERIAL SPECIFICATION: ---	ConSet A/S <small>Staalvej 14-16 6900 Skjern Denmark</small>
	PROCES SPECIFICATION: ---	
	MATERIAL ---	501-17, 156cm
FINISH ---	---	
DO NOT SCALE DRAWING	DRAWN JO	CHECKED GL
	DATE 061105	REV. 0
	107690	

501 – 17. 2 опоры 96 см.

THE INFORMATION CONTAINED IN THIS DRAWING IS THE SOLE PROPERTY OF CONSET A/S ANY REPRODUCTION IN PART OR WHOLE WITHOUT THE WRITTEN PERMISSION OF CONSET A/S IS PROHIBITED.



UNLESS OTHERWISE SPECIFIED DIMENSIONS ARE IN MM TOLERANCES ARE: According to DIN 7168-m		MATERIAL SPECIFICATION: ---	ConSet A/S <small>Staalvej 14-16 6900 Skjern Denmark</small>
		PROCES SPECIFICATION: ---	
MATERIAL			501-17, 96cm
FINISH			
DO NOT SCALE DRAWING	DRAWN JO	CHECKED GL	DATE 061105
			107850
			REV. 0