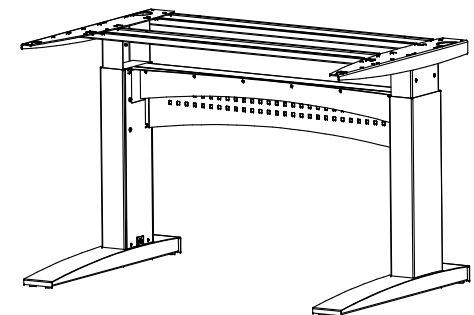
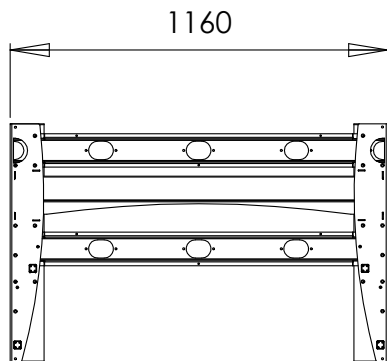
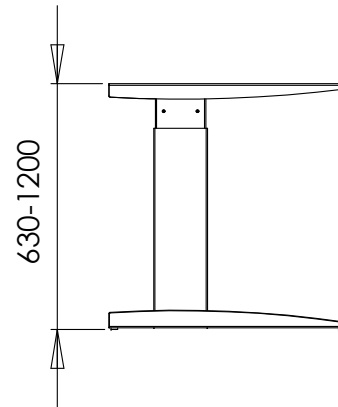
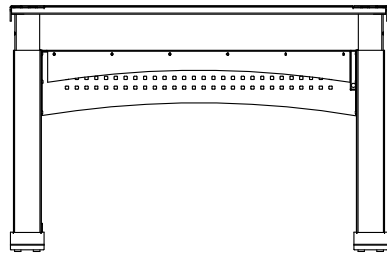



# 501 – 11. 2 опоры 116 см.

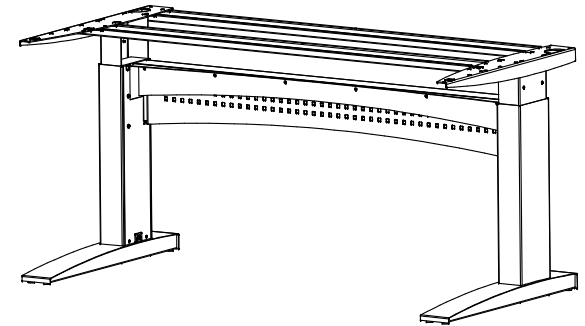
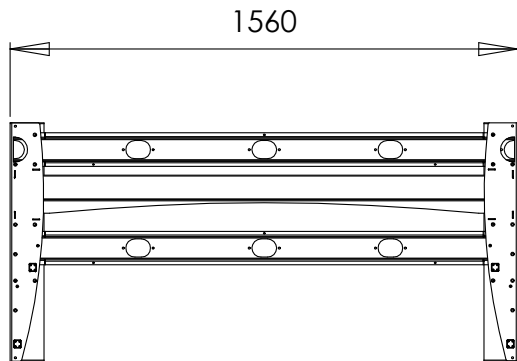
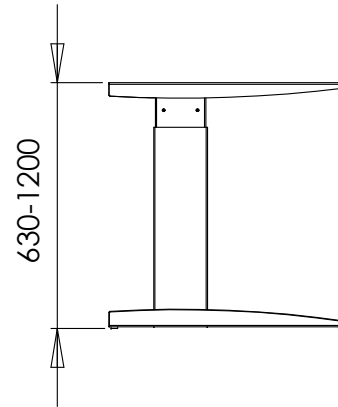
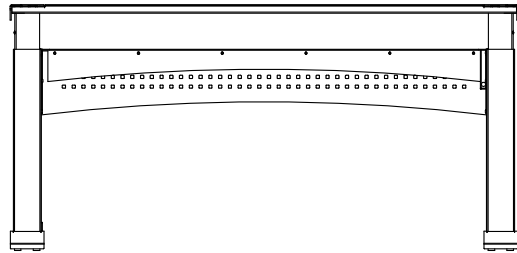
THE INFORMATION CONTAINED IN THIS DRAWING IS THE SOLE PROPERTY OF CONSET A/S ANY REPRODUCTION IN PART OR WHOLE WITHOUT THE WRITTEN PERMISSION OF CONSET A/S IS PROHIBITED.




UNLESS OTHERWISE SPECIFIED DIMENSIONS ARE IN MM TOLERANCES ARE: --	MATERIAL SPECIFICATION: --	ConSet A/S Staalvej 14-16 6900 Skjern Denmark
	PROCES SPECIFICATION: --	
		501-11, 116cm
MATERIAL <input checked="" type="checkbox"/>		
FINISH <input checked="" type="checkbox"/>		
DO NOT SCALE DRAWING	DRAWN JO	CHECKED GL
	DATE 060320	
		107040
		REV. 0

# 501 – 11. 2 опоры 156 см.

THE INFORMATION CONTAINED IN THIS DRAWING IS THE SOLE PROPERTY OF CONSET A/S ANY REPRODUCTION IN PART OR WHOLE WITHOUT THE WRITTEN PERMISSION OF CONSET A/S IS PROHIBITED.



UNLESS OTHERWISE SPECIFIED DIMENSIONS ARE IN MM TOLERANCES ARE: --	MATERIAL SPECIFICATION: --	<b>ConSet A/S</b> Staalvej 14-16 6900 Skjern Denmark
	PROCES SPECIFICATION: --	
		501-11, 156cm
MATERIAL <input checked="" type="checkbox"/>		
FINISH <input checked="" type="checkbox"/>		
DO NOT SCALE DRAWING	DRAWN JO	CHECKED GL
	DATE 060320	
		107050
		REV. 0